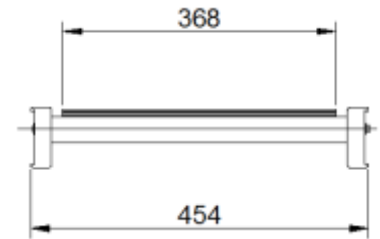


Youngman Lightweight Alloy Staging System (454mm width)

Approved to BS 2037:Class 1, Youngman Boards – the original light weight staging system - provides a safe, uninterrupted platform that can span up to 6.1m without intermediate support.

- » Lightweight construction using aluminium stile for durability
- » Available in a range of popular sizes from 3.0m to 7.3m length
- » Safety First - Full double handrail and toeboard system available
- » Handrail system enables two staging units to be placed side by side

- Platform deck includes a phenolic resin coating incorporating a slip-resistant finish
- Coating incorporates a release agent – reducing the likelihood of concrete and adhesives sticking to the platform



450mm Lightweight Stagings

Product Code	Description	Max Span (m)	Volume (m ³)	Weight (kg)	Max Working Load (kg)	Max Middle Load (kg)	Overall dimensions (mm)
330408	3.0m Lightweight Staging	2.7	0.10	18	270	270	3030 x 454 x 70
336408	3.6m Lightweight Staging	3.0	0.12	22	270	270	3630 x 454 x 70
342408	4.2m Lightweight Staging	3.6	0.14	26	270	180	4240 x 454 x 70
348408	4.8m Lightweight Staging	4.2	0.15	33	270	180	4850 x 454 x 80
354408	5.4m Lightweight Staging	4.8	0.22	38	270	180	5460 x 454 x 90
360408	6.0m Lightweight Staging	5.4	0.28	42	270	180	6080 x 454 x 100
373408	7.3m Lightweight Staging	6.7	0.33	51	270	180	7390 x 454 x 100

Youngman Lightweight Alloy Staging Handrail System

The Youngman Lightweight Staging System Handrail Post fixes underneath the Lightweight Staging and locks securely to the aluminium stile to provide a robust handrail system.

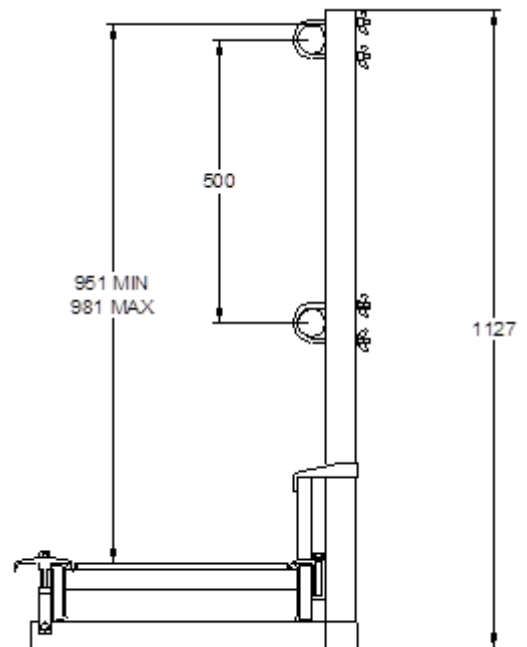
The handrail is fastened to the post using “U” bolts and is secured by tightening wing nuts on the post. The system is complete with a toeboard clip, enabling toeboards to be fitted and ensuring compliance with Working at Height Legislation.

450mm Lightweight Staging Handrail System

Product Code	Description	3.0m	3.6m	4.2m	4.8m	5.4m	6.0m	6.6m	7.3m
301428	450mm Handrail Post	2	4	4	4	4	4	6	6
318429	1.8m Handrail Tube		4	2				4	
324429	2.4m Handrail Tube			2	4	2			6
330429	3.0m Handrail Tube	2				2	4	2	
318430	1.8m Toeboard		2	1				2	
324430	2.4m Toeboard			1	2	1			3
330430	3.0m Toeboard	1				1	2	1	

SAFETY NOTES

- Handrail - Only use Ø50.8mm diameter heavy duty aluminium tube
- Handrails should extend beyond posts by a minimum of 300mm (1ft)
- Distance between handrail posts should not exceed 2400mm (8ft)
- **Stagings** fitted with handrails may tip when the rail is leaned on, the greatest risk is with short length single width stagings. **It is always good practice to tie stagings down securely to a firm structure**
- If double handrail protection required to both sides simply fit posts on opposite stile next adjacent to posts fitted



Further questions?

Contact your supplier or Youngman Customer Services on 01621 745900